

EL FARFISA

Stereo
Syntorchestra

3RD EDITION

SCHEMATIC DIAGRAMS

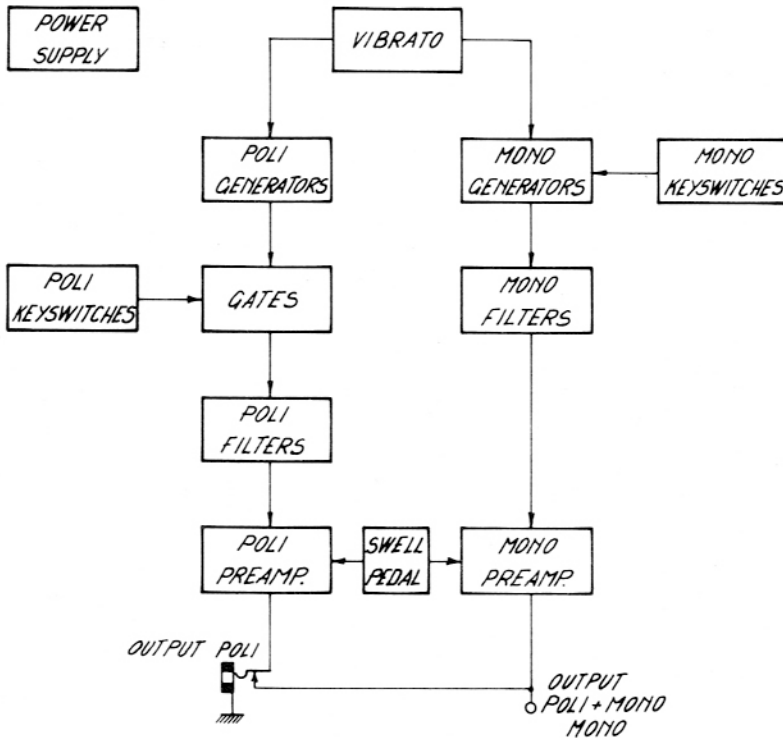
IMPORTANT : IN ANY CORRESPONDENCE CONCERNING THIS INSTRUMENT ALWAYS INCLUDE MODEL AND SERIAL NUMBERS!

PARTS ORDERING – When ordering parts be sure to include the following information:

1. Model and serial Number of instrument.
2. Part Code.
3. A description of the Part.
4. Specify how you want the part shipped.

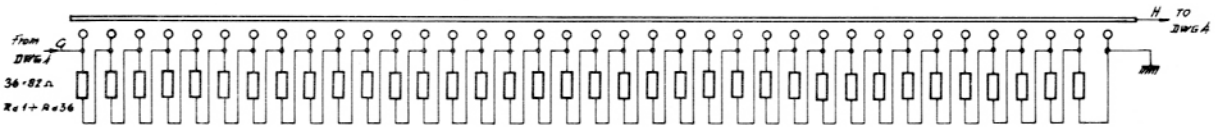
FARFISA COMPANY - WHOSE POLICY IS CONSTANTLY DIRECTED TO IMPROVEMENTS AND NEW DEVELOPMENTS - RESERVES THE RIGHT TO CHANGE SPECIFICATIONS, DESIGNS, PRICES, MODELS AND TO DISCONTINUE MODELS WITHOUT NOTICE AND LIABILITY.

BLOCK DIAGRAM

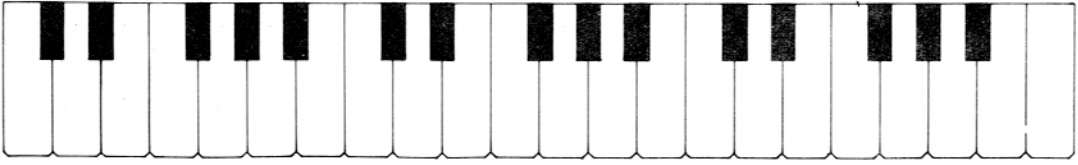
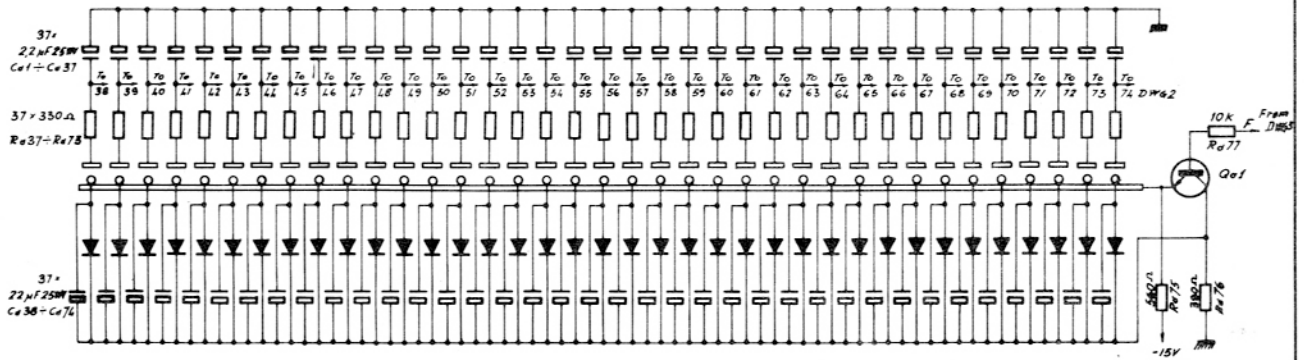


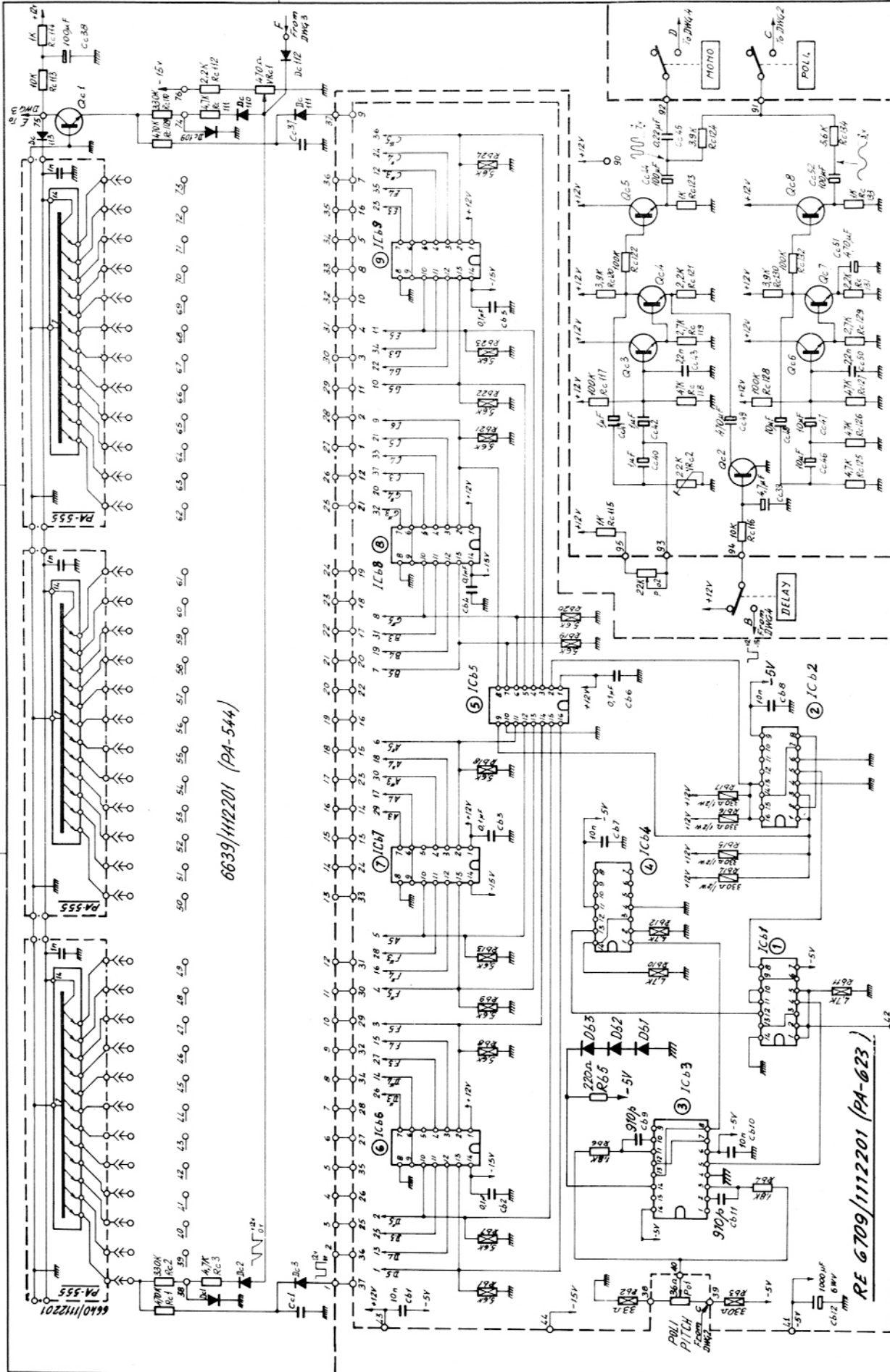
MOD. SYMPHONIC ORCHESTRA	SERIAL No	DRAWN BY	REVISION	DATE
CODE	5E/201			
D				

NOTES: 1) All resistors 1/8 W unless otherwise indicated.
 2) All leverswitches shown in OFF position.
 3) All keyswitches shown in OFF position.
 4) See parts list for component part numbers.



6637/1112201(PA-5L2)





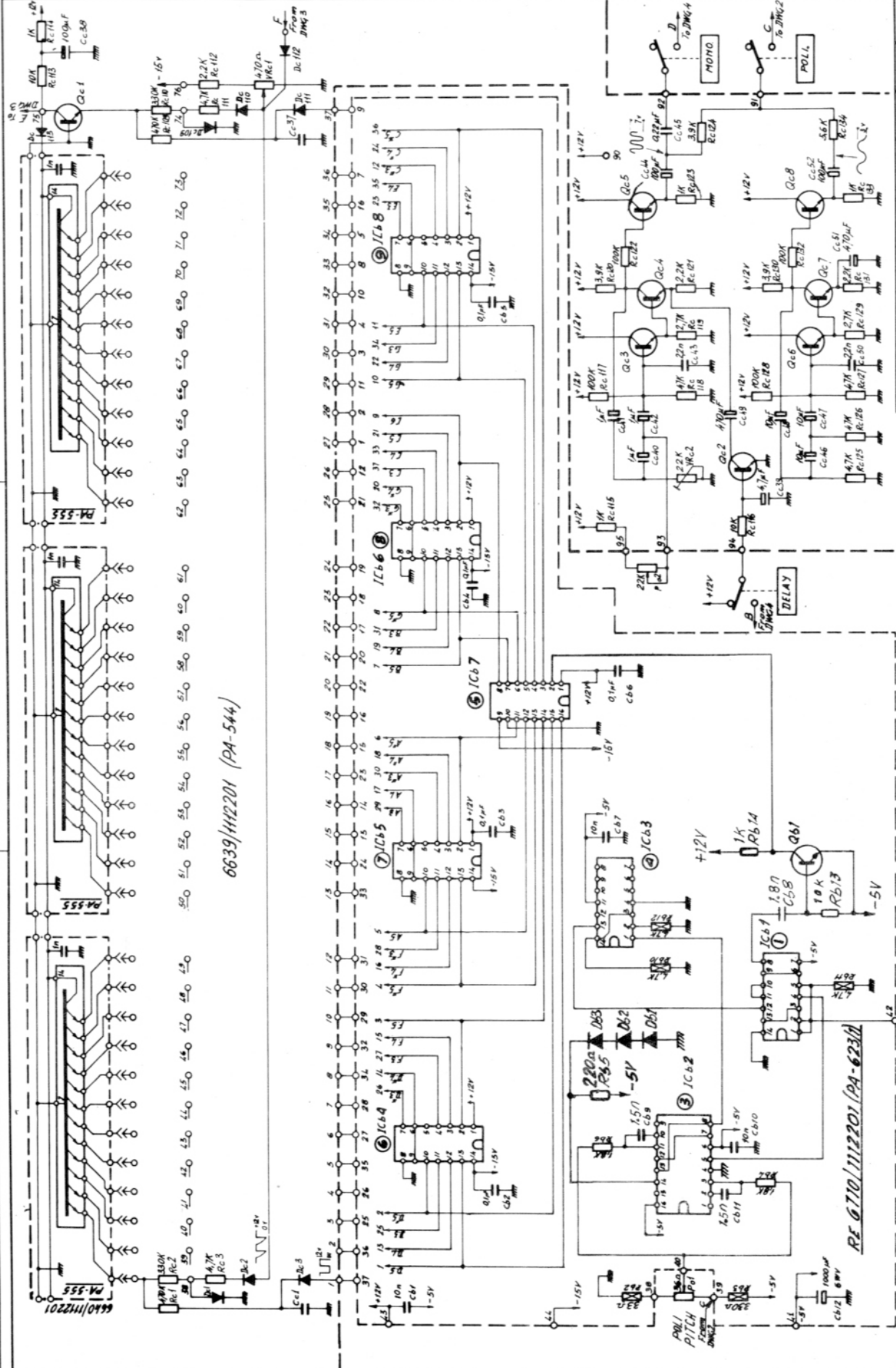
6601/112201 (PA-544)

RE 6709/1112201 (PA-623)

MOD. SYNTORCHESTRA	SERIAL NO.	
CODE 100000	REVISION	
DESIGNED BY	CHECKED BY	
DATE		
5E201		

- NOTES: 1) All resistors 1/8W unless otherwise indicated.
 2) All lewswitches shown in OFF position.
 3) All lewswitches shown in OFF position.
 4) See parts list for component part numbers.

TEXAS INSTRUMENTS



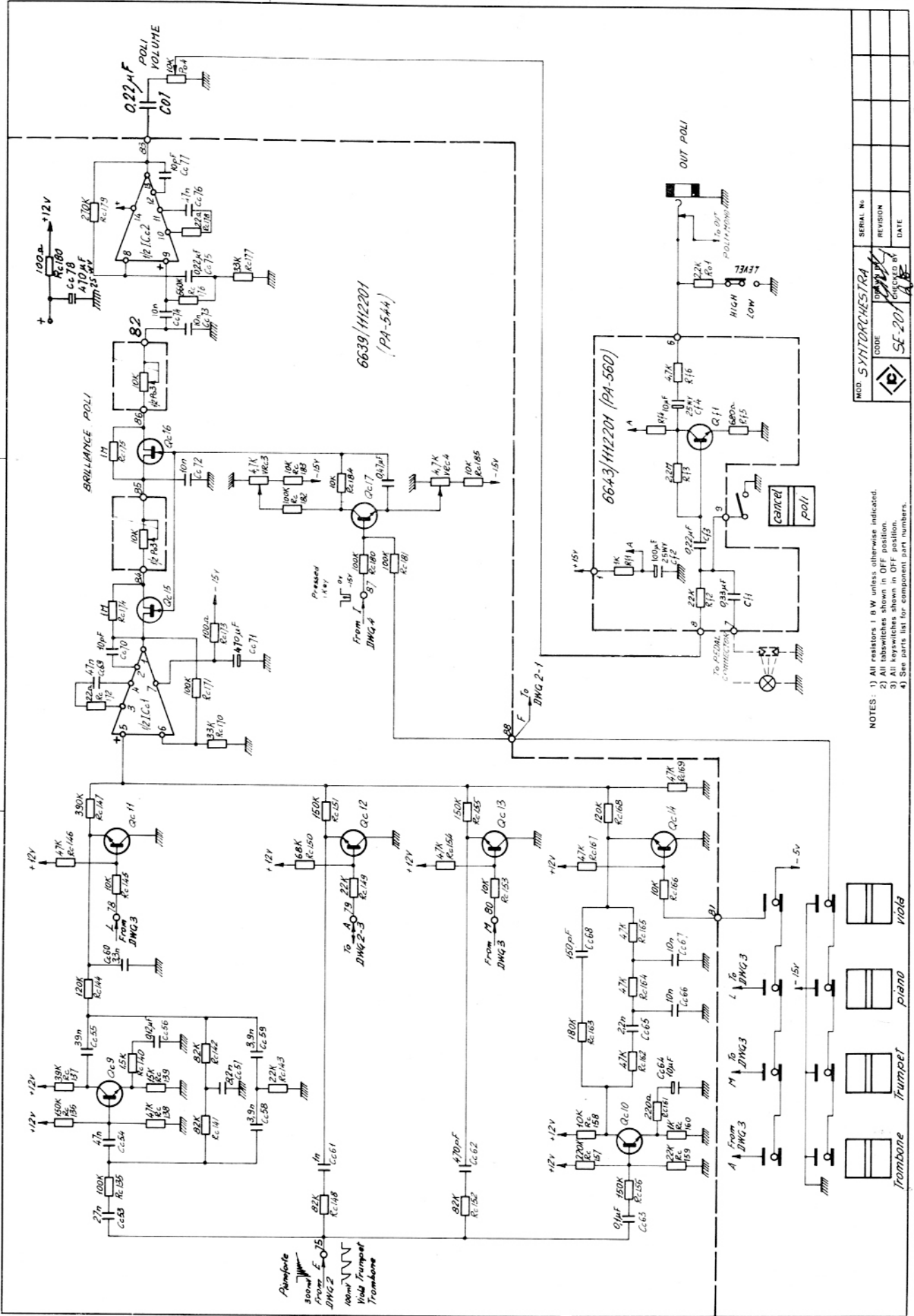
6639/H12201 (PA-544)

RE 6710/1112201 (PA-623H)

MOD. SYNTORCHESTRA	
CODE	DRAWN BY
REVISION	DATE
DATE	
SE 201	

- NOTES:
- 1) All resistors 1/8 W unless otherwise indicated.
 - 2) All resistors in OFF position.
 - 3) All switches shown in OFF position.
 - 4) See parts list for component part numbers.

GIE VERSION



6639/H12201
(PA-544)

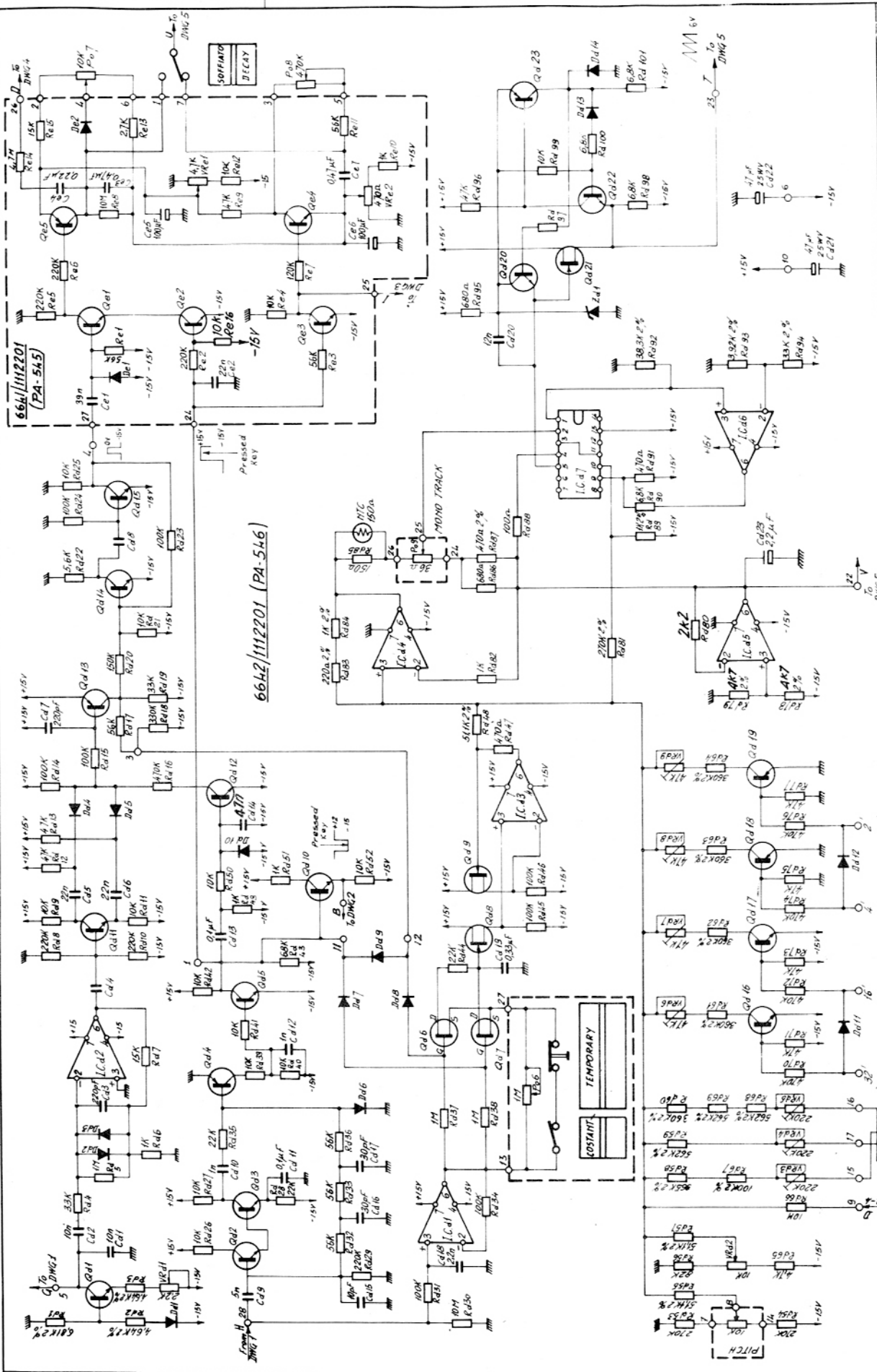
6643/H12201 (PA-560)

MOD	SYNTHORCHESTRA	SERIAL No	
CODE	SE-201	REVISION	
		DATE	

- NOTES: 1) All resistors 1/2 W unless otherwise indicated.
 2) All tabswitches shown in OFF position.
 3) All keyswitches shown in OFF position.
 4) See parts list for component part numbers.

Pumpforte
 300μF
 From E
 DWG 2
 100μF
 Viol Trompet
 Trombone

Trombone
 Trumpet
 Piano
 Viola

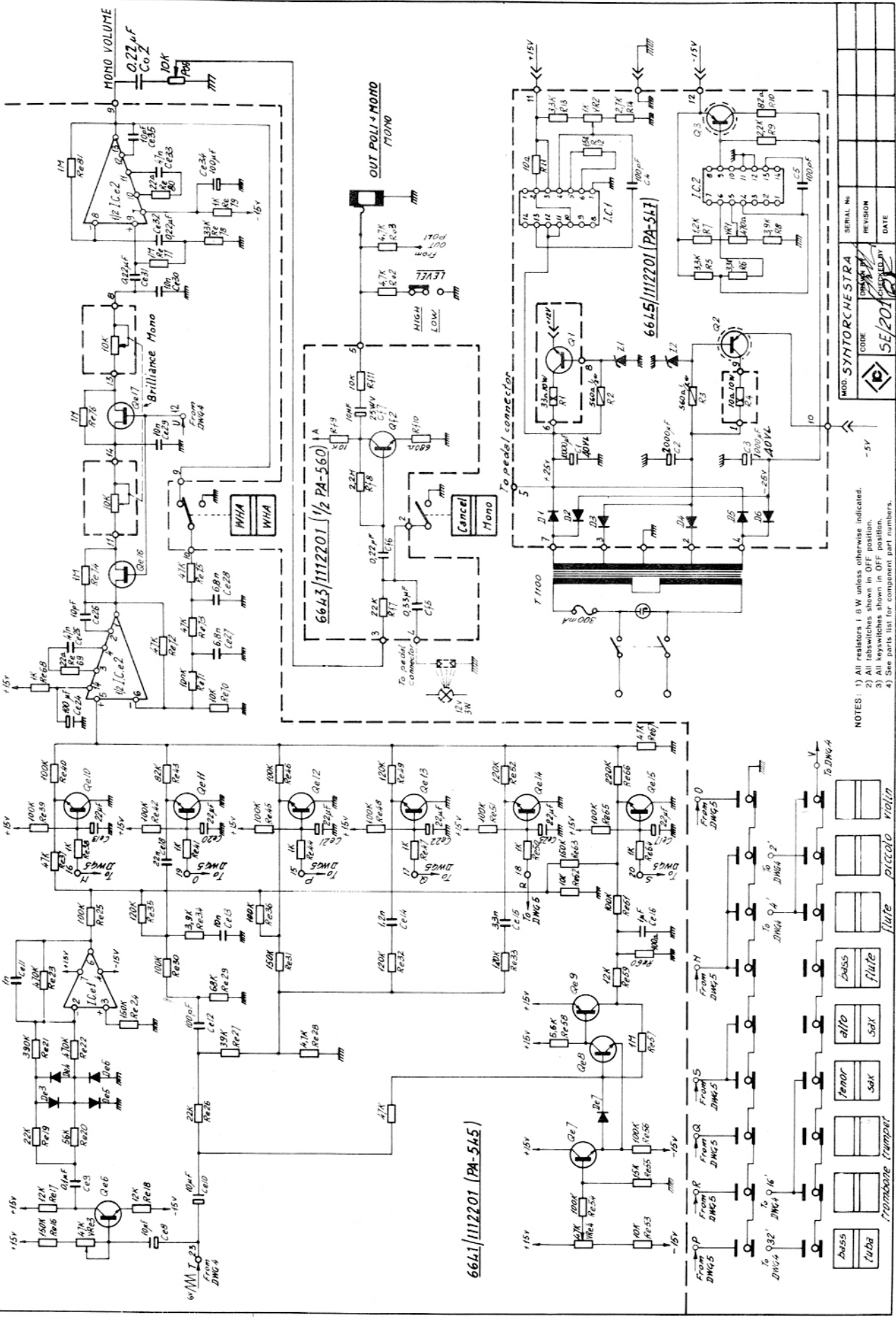


MODEL	SYNTHORCHESTRA	SERIAL No.	
CODE	66A/1112201	REVISION	
	5F-201	DATE	

- NOTES:
- 1) All resistors 1/8 W unless otherwise indicated.
 - 2) All labswitches shown in OFF position.
 - 3) All keyswitches shown in OFF position.
 - 4) See parts list for component part numbers.

From DWG 5

DWG 4 OF 5



NOTES: 1) All resistors 1/8 W unless otherwise indicated.
 2) All abbreviations shown in OFF position.
 3) All keyswitches shown in OFF position.
 4) See parts list for component part numbers.

MOD. SYNTORCHESTRA	SERIAL No.	DATE
CODE	REVISION	
DESIGNED BY		
SE 201		

Schem.Ref.	Circuit	Type	Part Code
<u>CHASSIS</u>	<u>POWER SUPPLY (DWG 5/SE 201)</u>		<u>8000/1112201</u>
Q 1	Series Stabilizer.....	Westinghouse 156 - 043 RCA 2N 3055.....	W/1800-W/1801
<u>PA 547</u>	<u>VOLTAGE REGULATOR BOARD (DWG 5/SE 201)</u>		<u>6645/1112201</u>
Q2 - Q3	Series Stabilizer.....	BC 287..... BC 303 - 6.....	W/1702
I.C.1-I.C.2	Series Stabilizer.....	TEXAS-SN 72723N.....	W/1209
D1 + D6	Rectifier Diodes.....	10 D 1	B/11 00 B/1101
Z 1	Zener Diode (13V - 1W).....	ITT - ZY 13.....	B/1418
Z 2	Zener Diode (5,6V - 400mW).	ITT - ZPD 5,6.....	B/1309
<u>PA 542</u>	<u>KEYSWITCH (DWG 1/SE 201)</u>		<u>6637/1112201</u>
Q a1	Switch.....	BC 209 - B..... BC 239 - B.....	W/1407
D a1+D a37	Diodes.....	S.G.S. IX 9809..... TEXAS 1N 4148.....	B/1000 B/1003
<u>PA 544</u>	<u>ELECTRONIC SWITCHING POLY (DWG 2-3/SE 201)</u>		<u>6639/1112201</u>
Q c1	Gate.....	} BC 209 - B..... BC 239 - B..... TEXAS - TIS 70..... BC 209 - B..... BC 239 - B..... S.G.S. TBA 231.....	W/1407
Q c2	Switch.....		
Q c3-Q c4	Oscillator Vibrato.....		
Q c5	Buffer.....		
Q c6-Q c7	Oscillator Vibrato.....		
Q c8	Buffer.....		
Q c9	Active Filter.....		
Q c10	Preamplifier.....		
Q c11+Q c14	Mute Switches.....		
Q c15-Q c16	Dual Fet.....		
Q c17	Switch.....	W/1407	
I.C. c1	Preamplifier.....	W/1212_W/1213	
<u>PA 555</u>	<u>GATE BOARD (DWG 2/SE 201)</u>		<u>6640/1112201</u>
I.C.	Gate To 12 emitter.....	ITT-TDA 0470.....	W/1207

Schem.Ref.	Circuit	Type	Part Code
<u>PA 623/1</u>	<u>POLYPHONIC TONE GENERATOR (DWG 2/SE 201)</u>		<u>6710/1112201</u>
I.C. b1	Nand Gate.....	SN 7400.....	W/1000
I.C. b2	Dual On-Shot.....	SN 29730 N.....	W/1009
I.C. b3	Dual J-K Flip-Flop.....	SN 7473.....	W/1002
I.C. b4-5	Frequency Dividers.....	G.I.E. AY-1-5050.....	W/1100-W/1101
I.C. b6-8			
I.C. b7	G.I. Synthesizer.....	G.I.E. AY-1-0212.....	W/1105
Q b 1	Fase Generator.....	BC 209-B-C.....	W/1407-W/1410
		BC 109-B-C.....	W/1409-W/1412
D b1 + 3	Diodes.....	IX 9808.....	B/1000-B/1003
		1N 414.....	
<u>PA 623</u>	<u>POLYPHONIC TONE GENERATOR (DWG 2/SE 201)</u>		<u>6709/1112201</u>
I.C. b1	Nand Gate.....	SN 7400.....	W/1000
I.C. b2	Fase Generator.....	TEXAS SN 29858 N.....	W/1011
I.C. b3	Dual On-Shot.....	SN 29730 N.....	W/1009
I.C. b4	Dual J-K Flip+Flop.....	SN 7473.....	W/1002
I.C. b5	Top Octave Syntetyzer....	TEXAS TMS 3839.....	W/1106
I.C. b6+b9	Frequency Dividers.....	G.I.E. AY-1-5050.....	W/1100-W/1101
D b1 + D b3	Diodes.....	IX 9808.....	B/1000-B/1003
		1N 414.....	
<u>PA 560</u>	<u>POLY - MONO PREAMPLIFIER (DWG 3-5/SE 201)</u>		<u>6643/1112201</u>
Q f1-Q f2	Preamplifier.....	BC 209 -B.....	W/1407
		BC 239 -B.....	
<u>PA 546</u>	<u>MONOPHONIC TONE GENERATOR (DWG 4/SE 201)</u>		<u>6642/1112201</u>
Q d1	Current Reference Generator } Oscillator.....	BC 209 - B.....	W/1407
Q d2-Q d3		BC 239 - B.....	
Q d4	Integrator.....	BC 154.....	W/1500
Q d5	Switch.....	BC 209 - B.....	W/1407
		BC 239 - B.....	
Q d6-Q d7	Switch Fet.....	SILICONIX E 402.....	W/2002
Q d8-Q d9	Dual Fet.....	TEXAS TIS 70.....	W/2001

Schem.Ref.	Circuit	Type	Part Code
Q d10	Switch.....	BC 209 - B.....	W/1407
Q d11	Preamplifier.....		
Q d12	Switch.....	BC 239 - B.....	
Q d13	Switch.....	BC 154.....	W/1500
Q d14-Q d15	One-Shot.....	BC 209 - B.....	W/1407
Q d16-Q d17	Switches.....		
Q d18-Q d19	Switches.....	BC 154.....	W/1500
Q d20	Switch.....	BC 209 B - BC 239 B.....	W/1407
Q d21	Fet.....	AMELCO 2N 4304.....	W/2000
Q d22-Q d23	Switches.....	BC 154.....	W/1500
I.C. d1	Buffer.....	TEXAS SN 72741 P.....	W/1210
I.C. d2	Preamplifier.....		
I.C. d3	Sample And-Hold.....		
I.C. d4	Voltage Summer.....		
I.C. d5-6	Reference Voltage Generator	FAIRCHILD 741 TC.....	
I.C. d7	Transistor Arrays.....	R.C.A. CA 3046.....	W/1211
Z d1	Zener Diode (6,2V-1W).....	ITT ZY 6,2.....	B/1410
D d1+D d14	Diodes.....	S.G.S. IX 9809.....	B/1000-B/1003
		FAIRCHILD BA 130.....	
<u>PA 545</u>	<u>MONOPHONIC FILTERS (DWG 4-5/SE 201)</u>		<u>6641/1112201</u>
Q e1+Q e4	Switches.....	BC 209 - B.....	W/1407
		BC 239 - B.....	
Q e5	Switch.....	BC 154.....	W/1500
Q e6	Triangle Wave Shaper.....	BC 209 - B.....	W/1407
Q e7+Q e8	Trigger.....		
Q e9	Trigger.....	BC 154.....	W/1500
Q e10+Q e15	Mute Switches.....	BC 209 - B.....	W/1407
		BC 239 - B.....	
Q e16-Q e17	Dual Fet.....	TEXAS - TIS 70.....	W/2001
I.C. e1	Sine Wave Shaper.....	SN 72741 P.....	W/1210
I.C. e2	Preamplifier.....	SN 76131.....	W/1212-W/1213
D e1+D e7	Diodes.....	S.G.S. IX 9809.....	B/1000-B/1003
		FAIRCHILD BA 130.....	

FARFISA P. O. BOX 204 - ANCONA (ITALY)

 FARFISA S.p.A.
IS A SUBSIDIARY
OF LEAR SIEGLER, Inc. 